



**Wanda Technology Inc.**

## **Side Post Aluminum Umbrella**

### *SmartBrella Series*

# **ASSEMBLY MANUAL**

**US Patents: 6,439,249 ; 6,692,135 ; 6,598,990 ; 6,966,667  
6,945,263 ; 6,923,194 ; 6,830,058 ; 6,565,060  
6,511,033 ; 6,637,717 ; 6,488,254 ; 6,585,219**

**Other Patents and/or Patent Pending are available upon request.**

**For Help or Warranty Service Contact:**

**Wanda Technology Inc.**

**[www.WandaTech.com](http://www.WandaTech.com)**

**Jan. 2007**

## **WARNING!!**

Never Leave this product in the open position over night or while away. Weather conditions causing gusting winds could result in damage to this product. If you notice excessive swaying or movement in windy conditions, close the shade system.

Under no circumstances is Wanda Technology Inc. responsible for any damage caused by the shade system resulting from, but not limited to, any weather related causes.

***\*\*\*Before using your umbrella, you must do the following\*\*\****

1. Bolt the base to your existing patio structure.  
(OR)
2. Have Four (4) 18-inch Patio Stones, or similar, weighing approximately 35 lbs each. It may be necessary to add additional stones or planters to meet the minimum weight requirement. The total weight should be at least 140lbs. Place one patio stone on all four sides of the umbrella's "base cross legs". This will give the umbrella the support needed. If needed you can add planters on top of the patio stones to give additional weight.

## ***SPECIAL REMINDER***

**When cranking the umbrella open, if you feel resistance and the umbrella is not opening, do NOT force the crank. Simply, spread open the ribs using your hands then continue to crank open the umbrella.**

### **LIMITED WARRANTY**

Wanda Technology Inc. will replace and or repair any defective parts & components within a period of (1) year from the delivery date. This warranty does not include abuse, misuse, vandalism, negligence improper installation, accidents casualty, normal wear and tear, or other causes for other repair not defined by Wanda Technology Inc. as a defect. The limited warranty only applies to the dealers, and is not assignable. All warranties are void without receipt.

Any question, please visit our website at [www.WandaTech.com](http://www.WandaTech.com) or contact our service center at 714-549-4448

# **IMPORTANT:**

## **BASE ASSEMBLY INSTRUCTIONS**

**Note: Please read carefully the complete instructions before assembly.**

**Step 1. Attach the Rotating base (08) to the top of the two Cross Legs (02&05) with the four M8\*30 Alan Head bolts (06). (M8\* wrench included)**

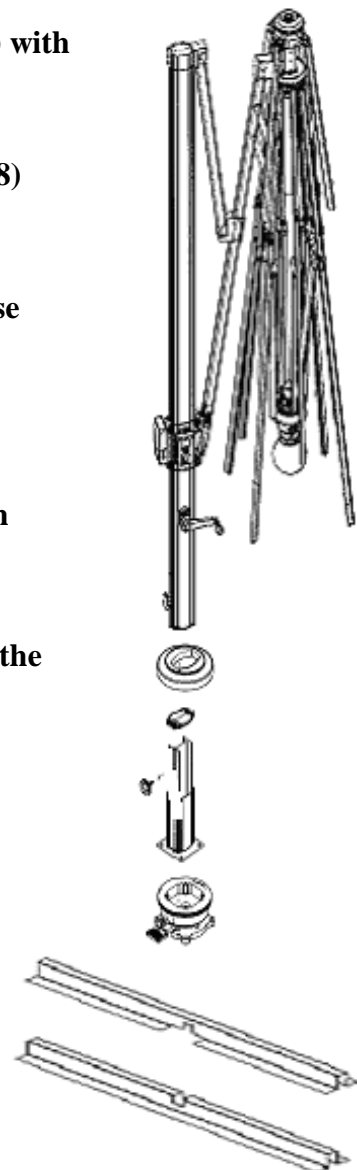
**Step 2. Attach the H-style Support base (10) to the top of the Rotating base (08) with the four M8\*20 Alan Head bolts (09).**

**Step 3. Remove the Thumbscrew Knob (14) and the Gasket (13). Slide the Base Cover (11) down over the H-style support tube.**

**Step 4. Re-insert the Gasket (13) into the Lower post sleeve.**

**Step 5. Remove the four M8\*30 screws (130) located at the bottom of the main post, then slide the Main Frame over the H-style support base.**

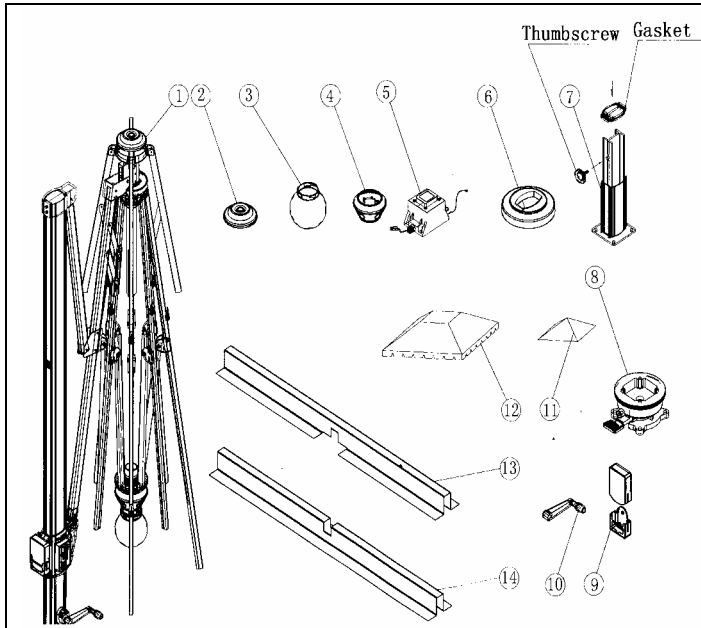
**Step 6. Insert and tighten the Thumbscrew Knob (14) then insert and tighten the four M8\*30 screws (130) located at the bottom of the main post. (M4\* wrench included). NOTE: Do not over tighten.**



### **CAUTION:**

**When removing the main frame from the base, make sure to completely remove the four M4\*25 bolts located at the bottom of the main post and the thumbscrew before lifting the umbrella frame from the base.**

# SmartBrella ASSEMBLY INSTRUCTIONS



## STEP 1.

Inspect umbrella frame and all component parts before assembly.

1. Frame
2. Vent top cap
3. Light cover
4. Stereo speaker housing
5. Transformer
6. Plastic cover
7. H-style Support base with thumbscrew and gasket(M4, M5, M6 wrenches included)
8. Rotating Base (bolts, washers and M8 wrench included)
9. MP 3 player housing
10. Crank handle
11. Vent top cover
12. Main fabric
13. Upper cross base
14. Lower cross base

## STEP 2

\* Cross the two bottom base legs (13-14). Then mount the rotating base (8) to the top of the cross legs with four M8X30 bolts.

\* Attach the H-style support base (7) to the rotating base with four M8x20 bolts, remove the thumbscrew and gasket, then slide the base cover over the support base and restore the gasket.

\* Insert the main Frame (1) onto the H-style support base, tighten the four M8x30 screws on the bottom of the pole and secure the thumbscrew.

**NOTE: you MUST secure the base by one of the following: (Two options)**

1) Bolt the base cross legs to your Existing Patio

OR

2) Place one 18" patio stone on all four sides of the Base Cross Legs (See Diagram 2) . Option"2" will allow your umbrella to be portable. (Patio stones are not included)

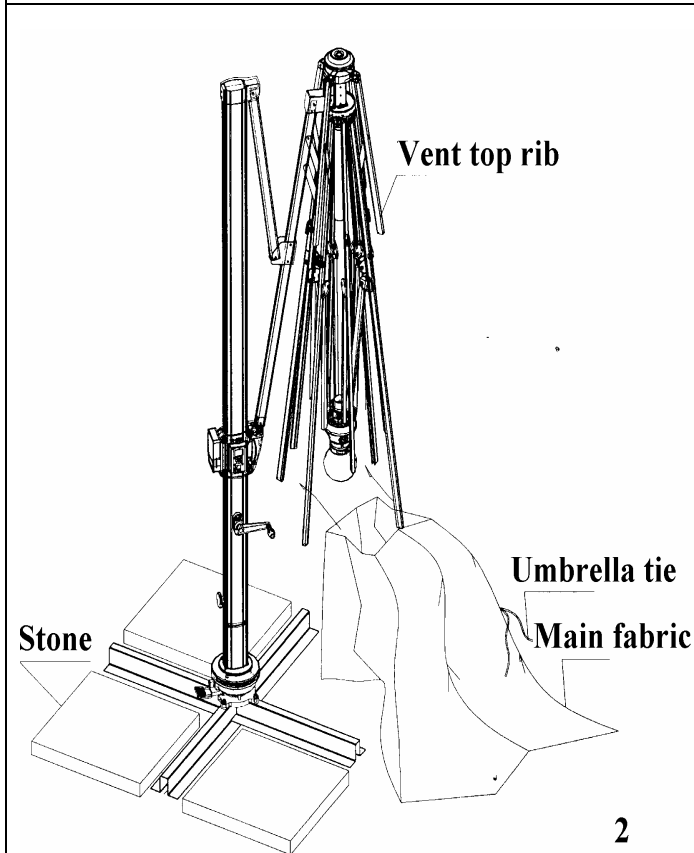
## TOP COVER INSTALLATION

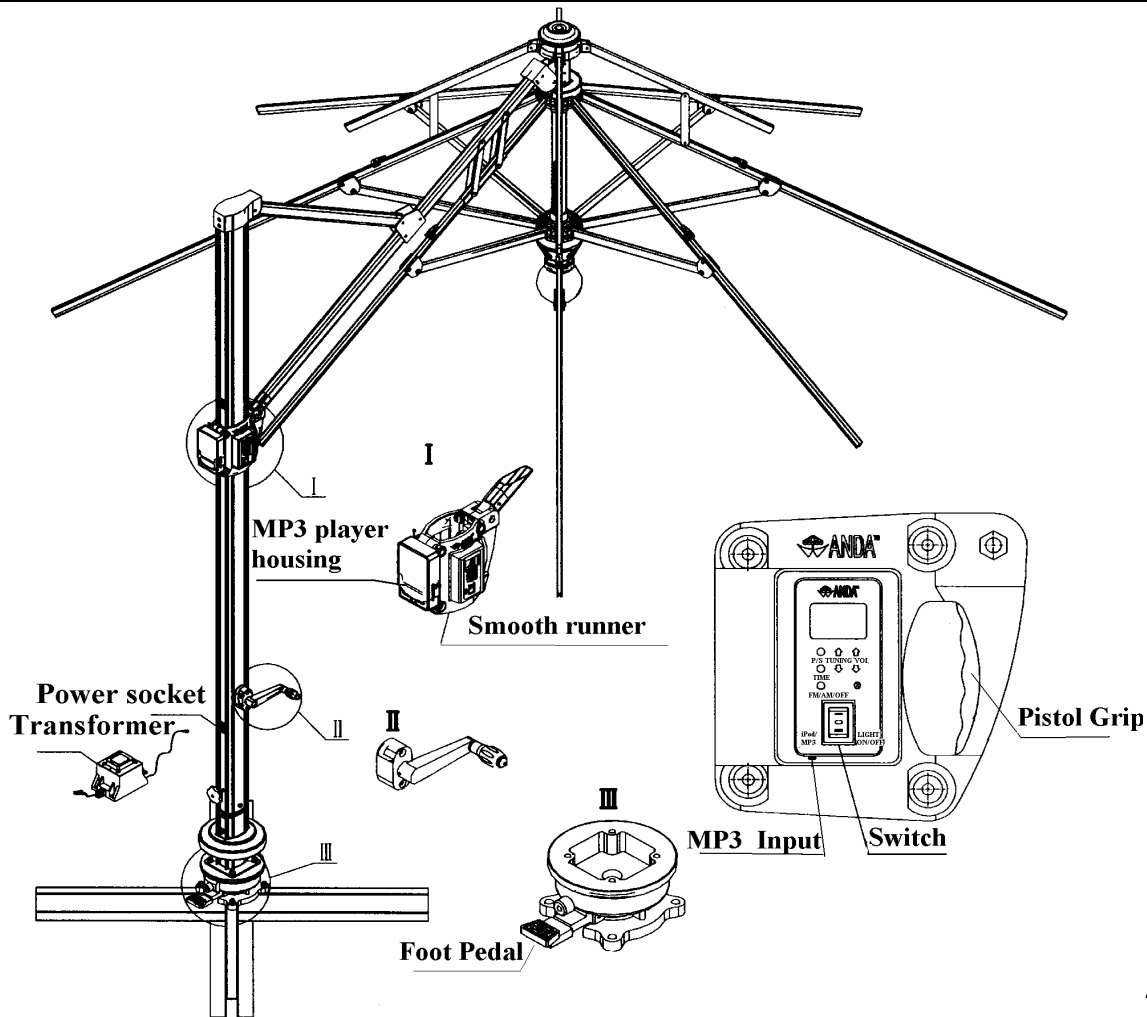
\* Place the vent top fabric over the vent ribs and insert the ribs into the four pockets. Now, screw down the Vent top plastic cap. (See Diagram 2)

\* Open the main fabric and from the bottom slide the main fabric over the ribs. Attach the fabric to the Rib hooks located at the top of each rib. Please note the Umbrella ties must be positioned on the Short rib in front of umbrella (See Diagram 2).

\* Turn the crank clockwise to open the umbrella about half way. Now, one at a time, release the fabric from one upper rib hook and insert the rib into the bottom pocket of Main fabric, then reattach onto the upper hook. Repeat until all eight ribs are completed. Then, open canopy all the way.

\* Finally, attach the light cover. (see diagram 2)





### STEP 3.

\* To open umbrella, turn the crank clockwise. To close umbrella, turn the crank counter clockwise. **IMPORTANT:** When cranking, if you feel resistance and the umbrella is not opening, spread the umbrella ribs using your hands, then continue to crank open.

\* When you want to change the angle of your umbrella, squeeze the pistol grip and move it up or down to locate the preferred angle. (See I of Diagram3)

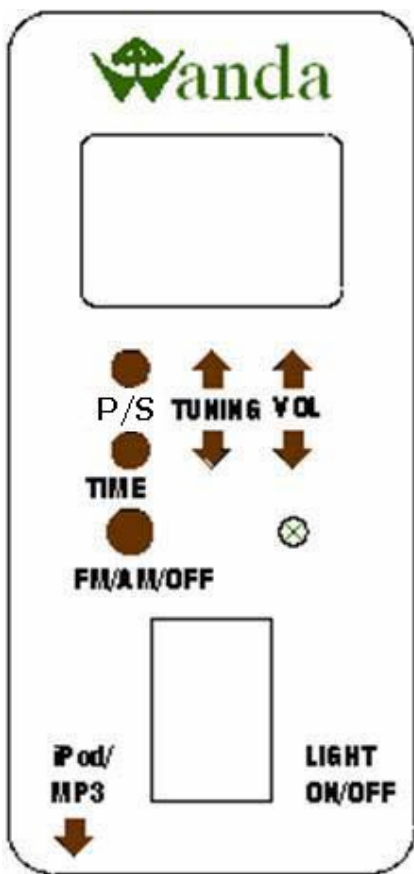
#### Operations for lighting system

- \* Plug the transformer box directly into a 120V or 220v power source and insert the cord end into the Power Socket, located on the main post.
- \* Push “----” both the moonlight and starlight’s are bright.
- \* Push “==” the moonlight is bright and the starlight’s are flashing.
- \* Push “o” and the power will turn off.

To store the umbrella, first squeeze the pistol grip and pull downward then rotate crank counter clockwise to close the umbrella. Use the ties to secure the main fabric to the post.

### Step 4.

You can rotate your umbrella up to 360 degrees by simply stepping on the foot pedal and at the same time, move the umbrella using your hands to the preferred position. Once the umbrella has reached the new position, just release the foot pedal and the umbrella will automatically lock into place.



## Programming display functions (see adjacent diagram)

### Setting the time

**Step 1.** Press and release the “time” key quickly. The “hour” will flash on the screen. Set the hour by pressing the “Volume (+) or (-)”.

**Step 2.** Press and release the “time” key again. The “minute” will flash on the screen. Set by pressing the “Volume (+) or (-)”.

**Step 3.** Press and release the “time” key once again to save the settings. (Note: If you do not press the “time” key to save, the setup will void after 10 seconds).

To display the actual time, press and hold the “time” key for 3 seconds. The time will appear on the LCD screen for 30 seconds. NOTE: the time displayed is military time. For example 10:30 = 10:30 am and 17:30 = 5:30 pm.

If the radio is on, wait for the LCD screen to turn off, then press and hold the “time” key. The time will appear. Once you release the button, the time will change back to the radio station and then disappear in 30 seconds.

### Setting the radio

Press the “FM/AM/OFF” key once, FM is active. Press the key a second time, AM is active, press the key a third time and the radio will turn off. While the radio is on, search the channels manually by press and release “tuning (+) or (-)”. To Scan the channels, press & hold “tuning (+) or (-)” continually. Release the button when channel is located. To adjust the volume control, simply press “Volume (+) or (-)”.

### Setting Pre Selected channels

Simply, turn on the radio and tune-in the radio station you want to save. Now, press & hold “P/S” for at least 2 seconds. The “P/S” channel number will flash at the top left corner of the screen. Next, press “Volume (+) or (-)” to select a “P/S” channel number. Once you have selected a radio station and a P/S channel number, simply press & hold “P/S” again, for at least 2 seconds to save the station. (Note: if you do not press “P/S” again to save, the setup is void after 10 seconds). The memory can save up to 5 channels for each FM and AM.

### Using your MP3 player

While the radio is on, remove the cover of the MP3 player housing. Turn on the MP3 player, insert one end of the audio wire into the output hole of the MP3 and place the MP3 inside the housing. Insert the other end of the wire into the MP3 input hole, located underneath the radio.

The Background light and Temperature will appear on the LCD screen by pressing any key and turn off automatically in 30 seconds.