

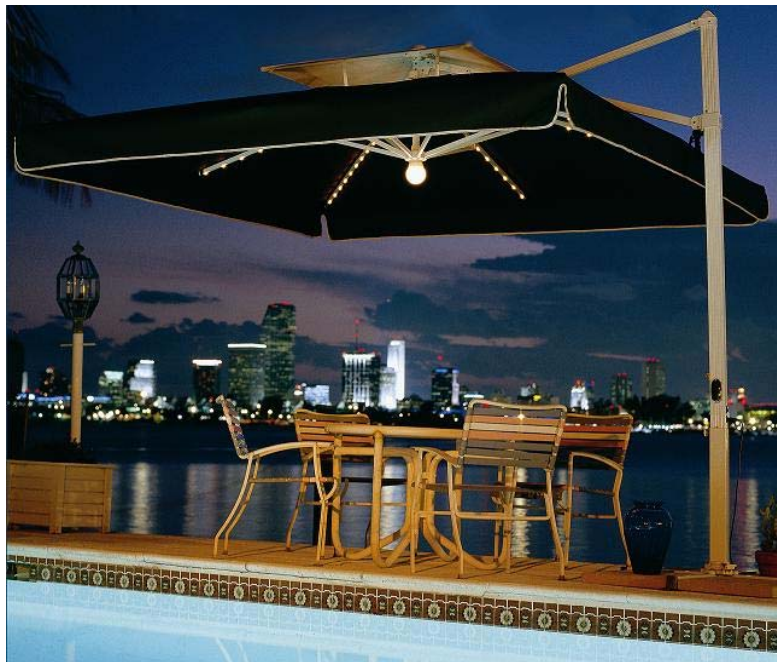
# 10'X10' Portofino Series



Wanda Technology Inc

## Side Post Aluminum Umbrella

### PORTOFINO 2-1 ASSEMBLY MANUAL



**U.S. PATENTED:**       #6,439,249;   #6,692,135; #6,598,990;  
                          #6,966,667;   #6,945,263; #6,923,194;  
                          #6,830,058;   #D513,176; #6,565,060  
                          #6,511,033 ; #6,637,717;   #6,488,254;  
                          #6,585,219

Other Patents and/or Patent Pending are available upon request.

## **WARNING!!**

Never Leave this product in the open position over night or while away. Weather conditions causing gusting winds could result in damage to this product. If you notice excessive swaying or movement in windy conditions, close the shade system.

Under no circumstances is Wanda Technology Inc. responsible for any damage caused by the shade system resulting from, but not limited to, any weather related causes.

***\*\*\*Before using your umbrella, you must do the following\*\*\****

1. Bolt the base to your existing patio structure.

(OR)

2. Have Four (4) 18-inch Patio Stones, or similar, weighing approximately 35 lbs each. It may be necessary to add additional stones or planters to meet the minimum weight requirement. The total weight should be at least 140lbs. Place one patio stone on all four sides of the umbrella's "base cross legs". This will give the umbrella the support needed. If needed, you can add planters on top of the patio stones to give additional weight.

## **SPECIAL REMINDER**

\* When cranking open the umbrella, if you begin to feel any resistance, do not force the crank. Spread the ribs open by hand then continue to crank.

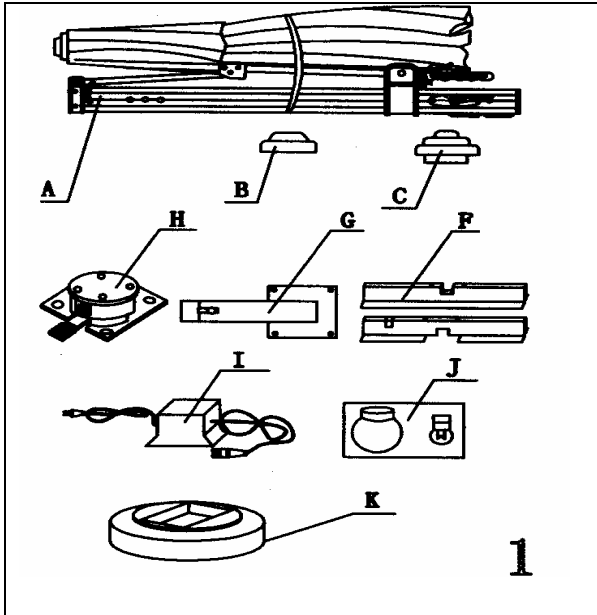
\* Make sure you insert the male wire plug from the upper support arm into the female socket located at the top of the main pole before using the lighting system.

### **LIMITED WARRANTY**

Wanda Technology Inc. will replace and or repair any defective parts & components within a period of (1) year from the delivery date. This warranty does not include abuse, misuse, vandalism, negligence improper installation, accidents casualty, normal wear and tear, or other causes for other repair not defined by Wanda Technology as a defect. The limited warranty only applies to the dealers, and is not assignable. All warranties are void without receipt.

Any question, please visit our website at [www.WandaTech.com](http://www.WandaTech.com) or contact our service center at 714-549-4448

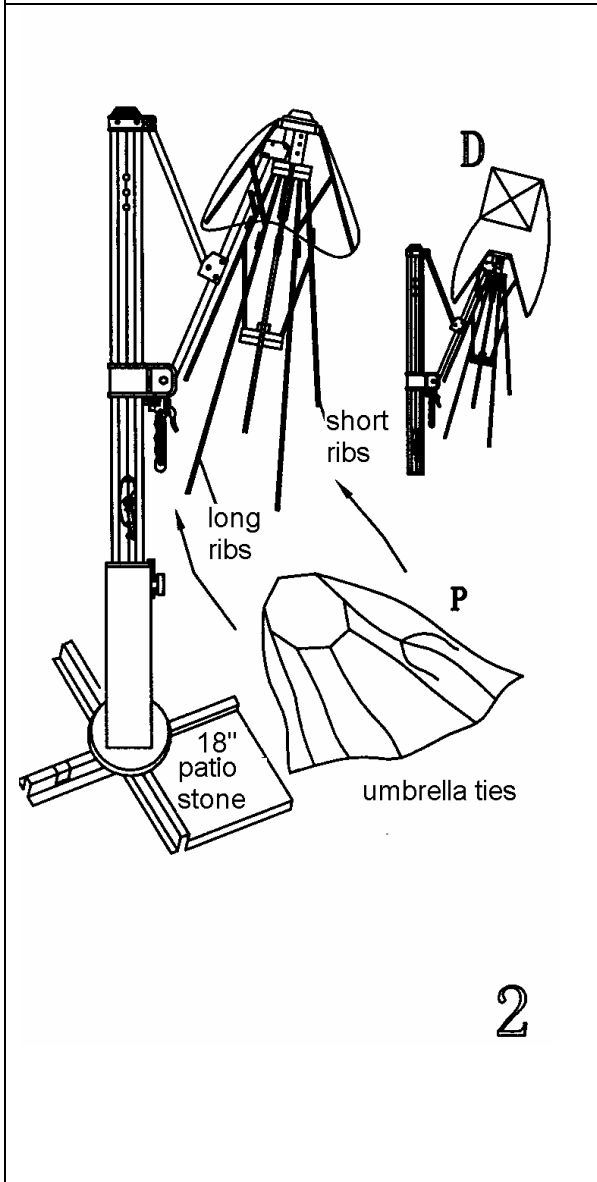
# PORTOFINO ASSEMBLY INSTRUCTIONS



## STEP 1.

Inspect the umbrella frame and all component parts before assembly for any damage or missing items.

- A. Frame
- B. Vent top cap
- C. Pillar Pole Cap
- F. Two bottom base cross legs
- G. Support base with thumbscrew
- H. Rotating Base (bolts, washers and wrench Included)
- I. Transformer
- J. Umbrella Light (Bulb and light cover)
- K. Base Cover



## STEP 2.

\* Cross the two bottom base legs. Then mount the rotating base to the top of the cross Legs with four M8X30 bolts.

\* Attach the support base to the rotating base with four M8x20 bolts, remove the thumbscrew and slide the base cover over support base.

\* Insert the main Frame into support base and tighten the thumbscrew.

**NOTE:** you MUST secure the base by one of the following:  
1) Bolt the base cross legs to your Existing Patio

OR

2) Place one 18" patio stone on all four sides of the Base Cross Legs (See Diagram 2). Option "2" will allow your umbrella to be portable. (Patio stones are not included)

### TOP COVER INSTALLATION

\* Place the vent top fabric over the vent ribs and insert the ribs into the four pockets, Then, screw down the Vent top plastic cap. (See Diagram 2)

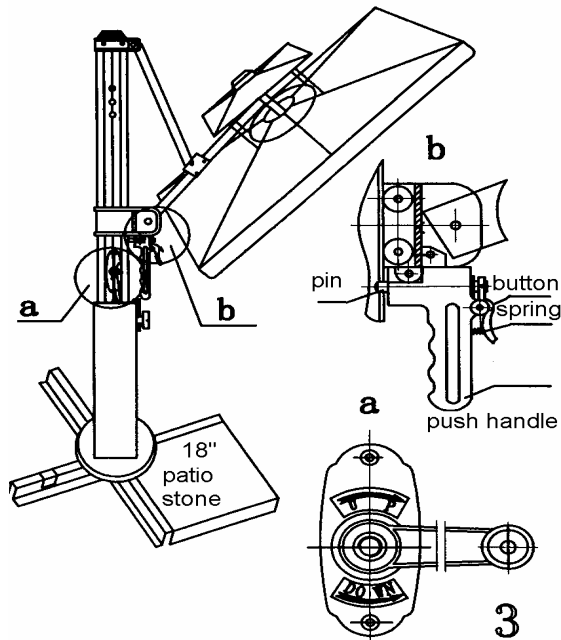
\* Open the main fabric. From the bottom slide the fabric up over the ribs and attach the fabric to the rib hooks located at the top of each rib. Note: the umbrella ties must be positioned on the short rib at the front of umbrella. (See Diagram 2)

\* Now, one at a time, release the fabric from one rib hook and insert the rib into the bottom pocket of main fabric, then reattach onto the upper hook. Repeat until all eight ribs are completed. The umbrella is now ready to be opened.

**NOTE:** the following is for lighted umbrella only.

\* Insert the female wire plug on the upper support arm into the male socket of the main frame.

\* Finally, insert the light bulb into the socket and then attach the light cover. (see diagram 2)



### STEP 3.

\* To open umbrella, turn the crank clockwise. To close umbrella, turn the crank counter clockwise. (See Diagram 3a)

NOTE: When cranking, if you feel resistance and the umbrella is not opening, do not force the crank. Spread the umbrella ribs using your hands, then continue to crank.

\* When you want to change the angle of your umbrella, squeeze the Tilt handle and move it up or down to locate the preferred angle. (See diagram 3b)

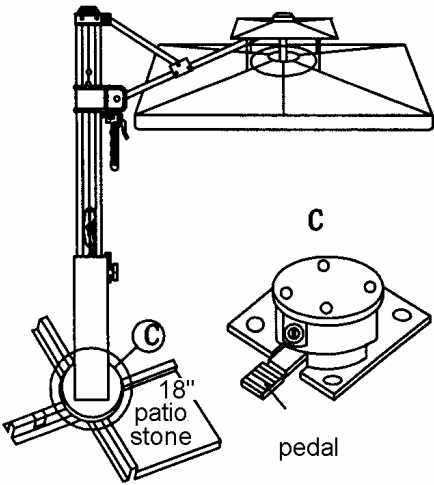
#### Operations for lighted umbrella only

\* Insert "input" end of transformer into 120V or 220v electrical power supply and "output" end into the power socket located on the main post

\* Push "----" ONLY the moonlight is bright.

\* Push "==" moonlight is dim and the starlights are bright.

\* Push "o" and the power will turn off.



### Step 4.

\* You can rotate your umbrella up to 360 degrees by simply stepping on the rotating base foot pedal and at the same time rotating the umbrella by hand to the preferred location. Once the umbrella has reached the new position, release the foot pedal and the umbrella will automatically lock into place. (See diagram 4)

\* There are twelve different locking positions to choose.

4