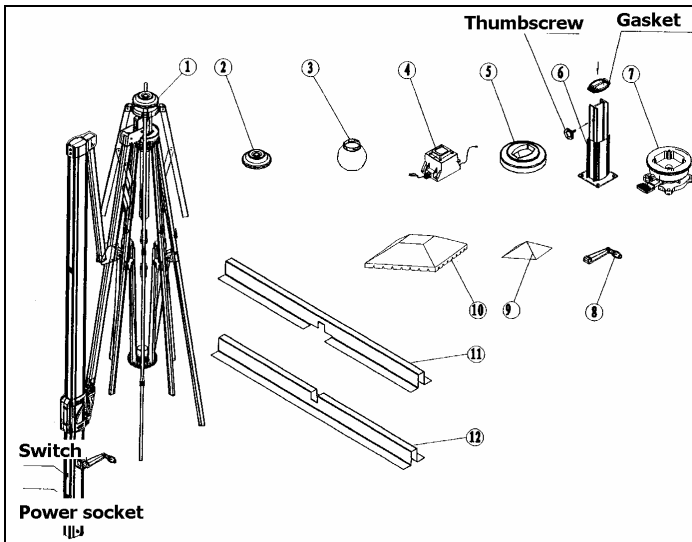


ASSEMBLY INSTRUCTIONS

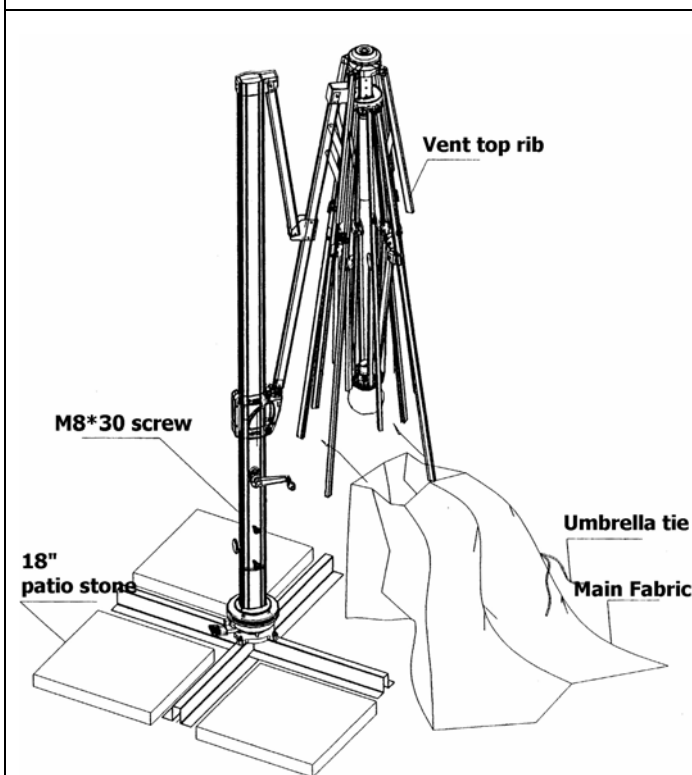


1

STEP 1.

Inspect umbrella frame and all component parts before assembly.

1. Frame
2. Vent top cap
3. Light cover and light bulb
4. Transformer
5. Plastic cover
6. H-style Support base with thumbscrew and gasket(M5, M6 wrenches included)
7. Rotating Base (bolts, washers and M8 wrench included)
8. Crank handle
9. Vent top cover
10. Main fabric
11. Upper cross base
12. Lower cross base



2

STEP 2

* Cross the two bottom base legs (11-12). Then mount the rotating base (7) to the top of the cross legs with four M8X30 Alan head bolts.

* Attach the H-style support base (6) to the rotating base with four M8x20 bolts, remove the thumbscrew and gasket, then slide the plastic cover over the support base and restore the gasket.

* Insert the main Frame (1) onto the H-style support base, tighten the four M8x30 screws on the bottom of the pole and secure the thumbscrew.

NOTE: you MUST secure the base by one of the following: (Two options)

1) Bolt the base cross legs to your Existing Patio OR

2) Place one 18" patio stone on all four sides of the Base Cross Legs (See Diagram 2). Option "2" will allow your umbrella to be portable. (Patio stones are not included)

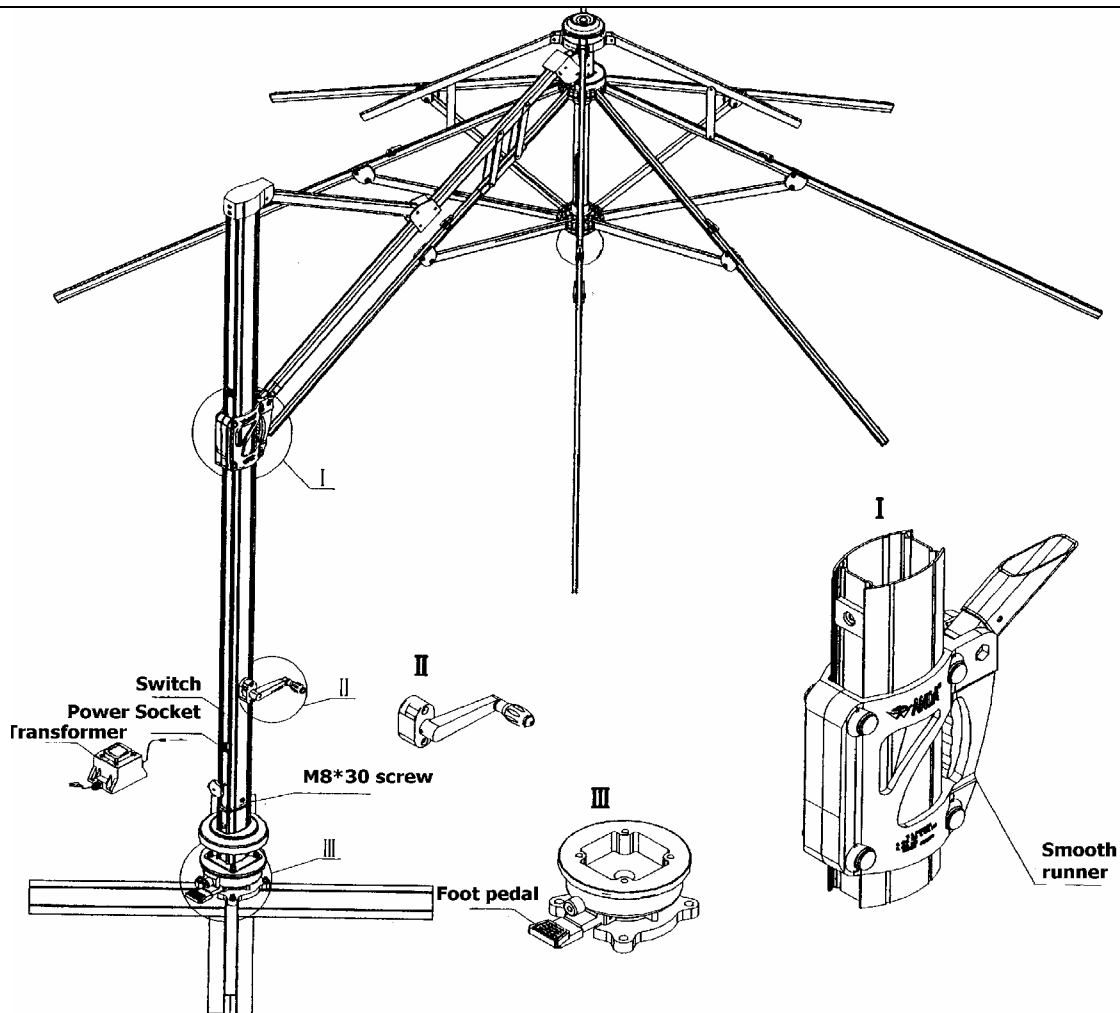
TOP COVER INSTALLATION

* Place the vent top fabric over the vent ribs and insert the ribs into the four pockets. Now, screw down the Vent top plastic cap. (See Diagram 2)

* Open the main fabric and from the bottom slide the main fabric over the ribs. Attach the fabric to the Rib hooks located at the top of each rib. Please note the Umbrella ties must be positioned on the Short rib in front of umbrella (See Diagram 2).

* Turn the crank clockwise to open the umbrella about half way. Now, one at a time, release the fabric from one upper rib hook and insert the rib into the bottom pocket of Main fabric, then reattach onto the upper hook. Repeat until all eight ribs are completed. Then, open canopy all the way.

* Finally, insert the light bulb into the socket and then attach the light cover. (see diagram 2)



3

STEP 3.

* To open umbrella, turn the crank clockwise. To close umbrella, turn the crank counter clockwise. **IMPORTANT:** When cranking, if you feel resistance and the umbrella is not opening, spread the umbrella ribs using your hands, then continue to crank open.

* When you want to change the angle of your umbrella, squeeze the pistol grip and move it up or down to locate the preferred angle. (See I of Diagram3)

Operations for lighting system

* Plug the transformer box directly into a 120V or 220v power source and insert the cord end into the Power Socket, located on the main post.

* Push “----” the moonlight is dim and starlight’s are bright.

* Push “==” the moonlight is bright and the starlight’s are off.

* Push “o” and the power will turn off.

To store the umbrella, first squeeze the pistol grip and pull downward then rotate crank counter clockwise to close the umbrella. Use the ties to secure the main fabric to the post.

Step 4.

You can rotate your umbrella up to 360 degrees by simply stepping on the foot pedal and at the same time, move the umbrella using your hands to the preferred position. Once the umbrella has reached the new position, just release the foot pedal and the umbrella will automatically lock into place.