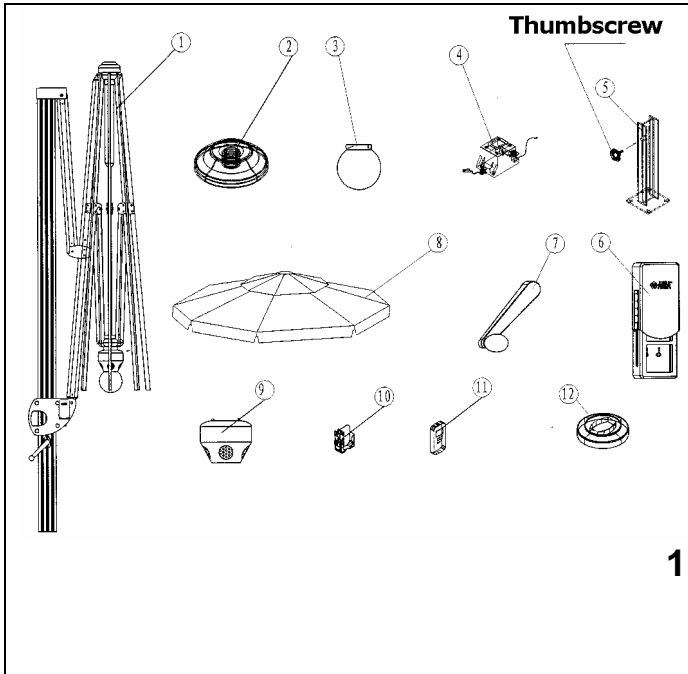


# ASSEMBLY INSTRUCTIONS

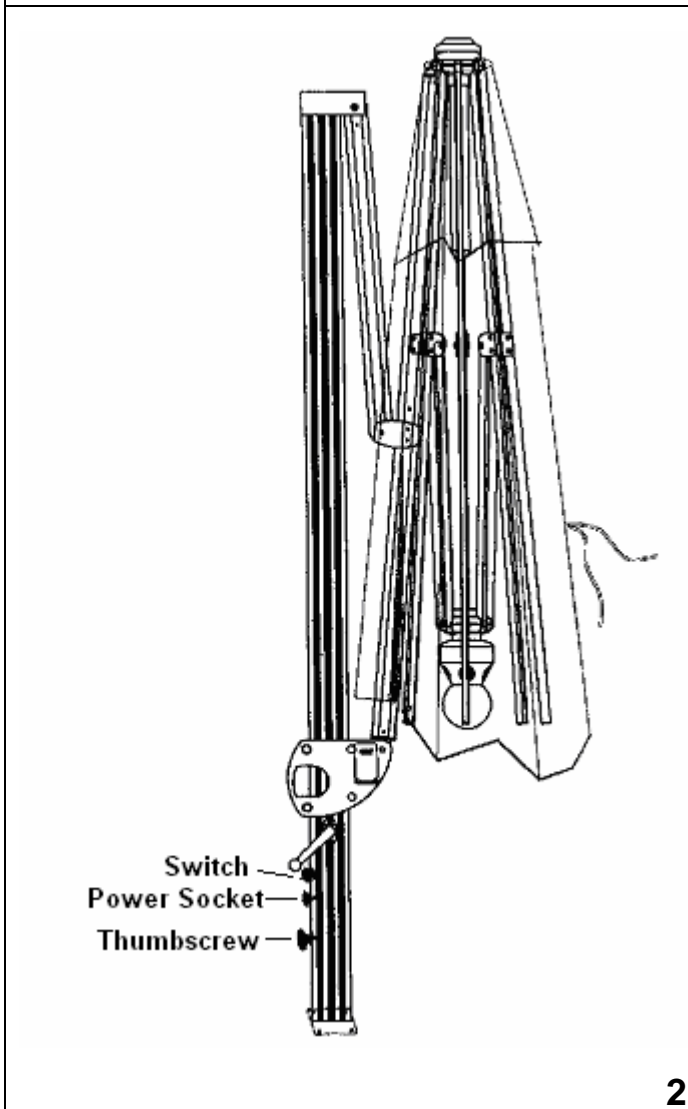


1

## STEP 1.

Inspect umbrella frame and all component parts before assembly.

1. Frame
2. Vent top cap
3. Light cover and light bulb
4. Transformer
5. H-style Support base
6. iPod/MP3 holder
7. Crank handle
8. Main fabric
9. Speaker system (2 screws included)
10. Remote control holder
11. Remote control
12. Plastic cover



2

## STEP 2

\* Mount the H-style support base (5) to the accommodating base. (Customer either can buy our power base or the cross base)

\* Place the main Frame (1) onto the support base (5), then, secure the thumbscrew.

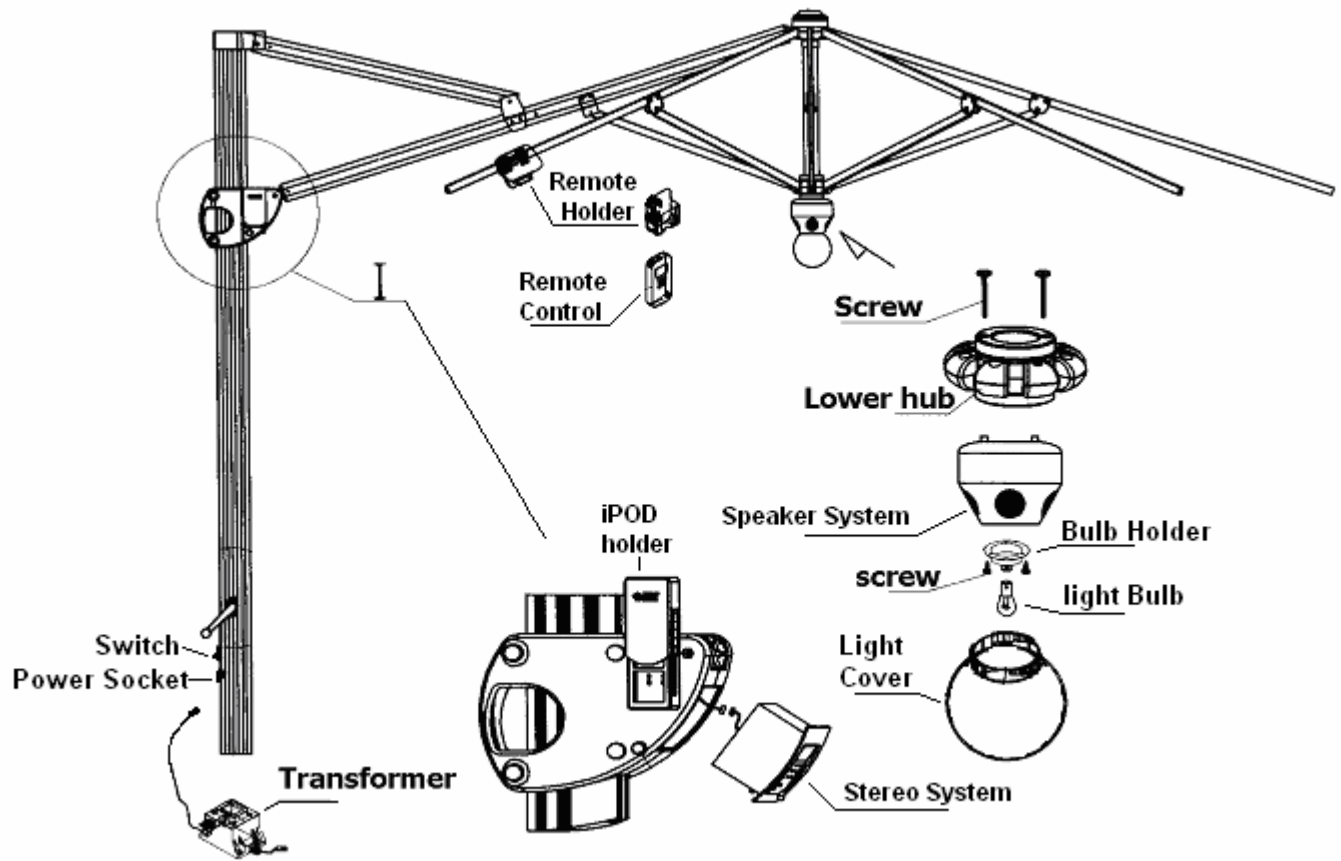
\* Turn the crank (7) clockwise to open the umbrella part way. Place the fabric over the top of the frame and insert the seven ribs into the fabric pockets. Now, connect the Velcro and secure the grommet sewn into the fabric to the fixed screw on the lower support arm by removing the rubber cushion on the screw. Screw the vent top cap over the fabric. Now, the umbrella is ready to open.

\* Attach the remote control holder (10) onto the umbrella rib. (see diagram 3)

\* Place the remote control (11) into the remote control holder.

\* To attach the speaker system (09), simply connect the plugs at the lower hub of the umbrella with the sockets on the speaker system, attach the speaker system under the lower hub with the two screws.

\* Finally, attach the light bulb and light cover(3). (see diagram 2)



### 3

#### STEP 3.

\* To open umbrella, turn the crank clockwise. To close umbrella, turn the crank counter clockwise. **IMPORTANT:** When cranking, if you feel resistance and the umbrella is not opening, spread the umbrella ribs using your hands, then continue to crank open.

\* When you want to change the angle of your umbrella, squeeze the pistol grip and move it up or down to locate the preferred angle. (See section 1 of Dia. 3)

#### Operating the lighting system

- \* Plug the transformer directly into a 120V power source and insert the other end into the power socket, located on the main post.
- \* Push “----” the moonlight is dim and starlight’s are bright.
- \* Push “==” the moonlight is bright and the starlight’s are off.
- \* Push “o” and the power will turn off.

To store the umbrella, first squeeze the pistol grip and pull downward then rotate crank counter clockwise to close the umbrella. Use the ties to secure the main fabric to the post.