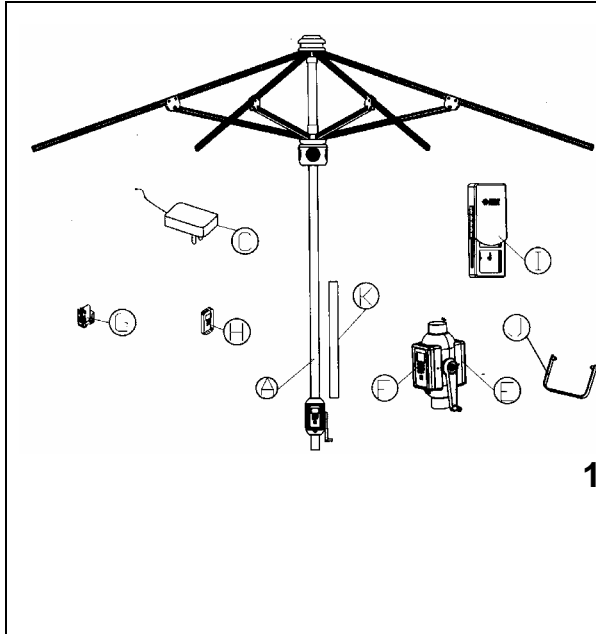


ASSEMBLY INSTRUCTIONS

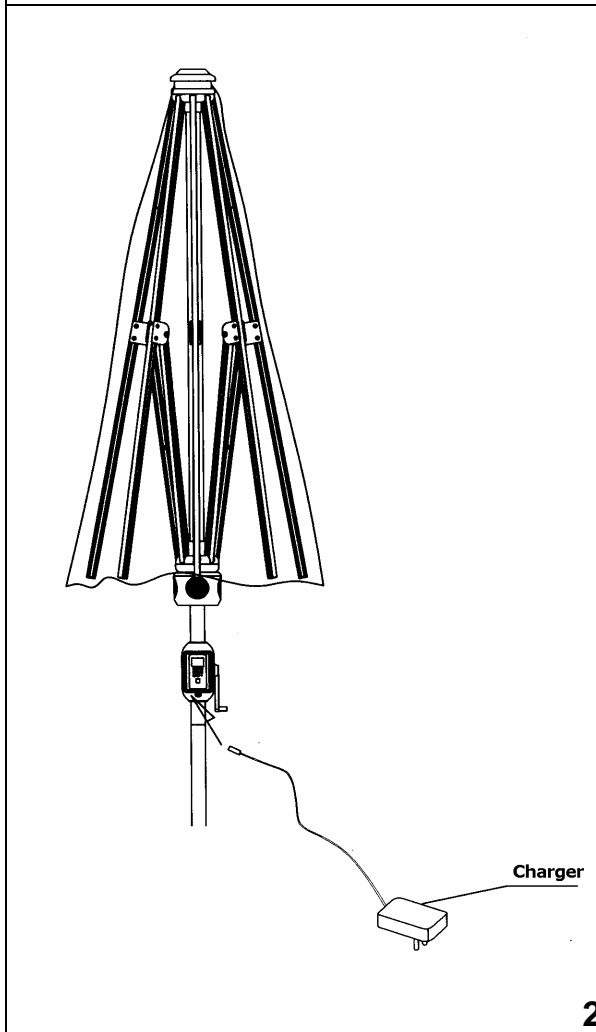


STEP 1.

Inspect umbrella frame and all component parts before assembly.

- A. Frame(fabric is on)
- C. Charger
- E. Battery box for radio assembly
- F. Radio assembly
- G. Remote control holder
- H. Remote control
- I. MP3 holder
- J. Kit for disassembling radio assembly
- K. Lower pole

1



STEP 2

* First connect the frame "A" and lower pole "K", then place it into the accommodating base(base not included)

* Take out the remote control holder ("G")and attach it onto the umbrella rib (see diagram 3)

* Take out the remote control ("H") and place it into the remote control holder

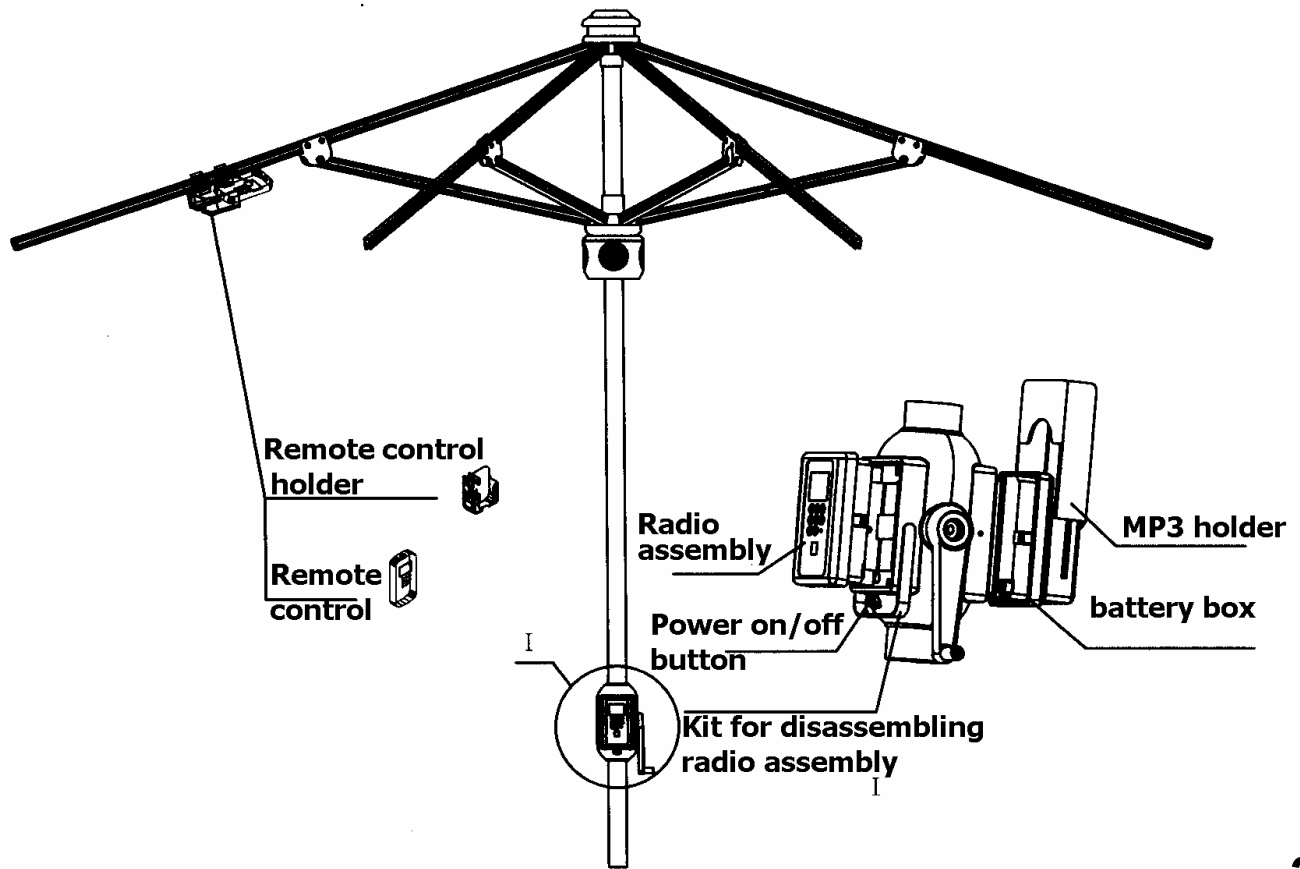
* Take out MP3 housing and fix it onto the battery box

*When the battery of the battery box is used up and needs to be recharged, place the kit for disassembling the radio assembly ("J") into the holes of battery box, press it by one hand, pull the battery box out by the other hand. Then you can re-charge battery separately by charger.

* Optional

If the fabric needs to be replaced, screw out the umbrella cap, take out the new fabric, Open it and spread over the top onto the ribs. Turn crank clockwise to open the umbrella about half way. Insert ribs into fabric pockets. Re-screw into the umbrella cap.

2



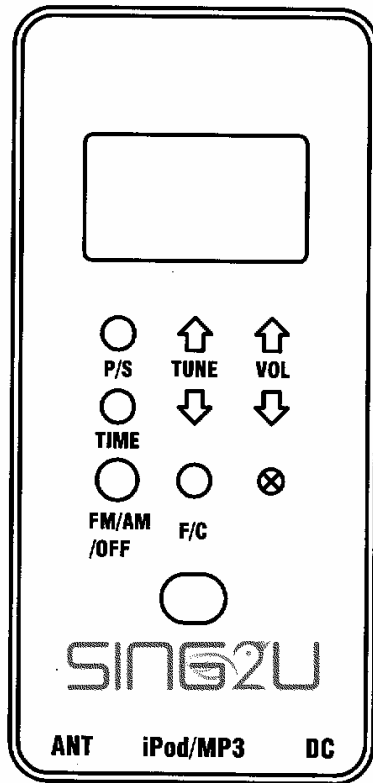
STEP 3.

* To open umbrella, turn the crank clockwise. To close umbrella, turn the crank counter clockwise.
IMPORTANT: When cranking, if you feel resistance and the umbrella is not opening, spread the umbrella ribs using your hands, then continue to crank open.

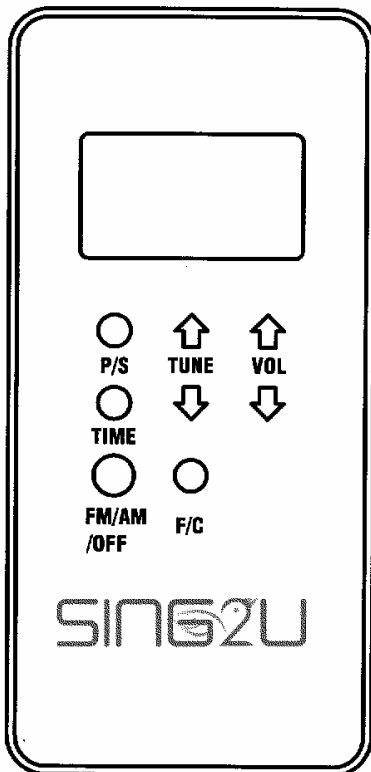
Operations for lighting system

- * Push power on/off button, the circle lights under stereo system are bright
- * Push it again, the circle lights under stereo system are off

To store the umbrella, rotate crank counter clockwise to close the umbrella. Use the ties to secure the main fabric to the pole.



Radio panel on radio assembly



Remote control display panel

Programming display functions (see adjacent diagram)

Setting the time

Step 1. Press and release the time key quickly. The hour will flash on the screen. Set the hour by pressing the Vol. (+ or -).

Step 2. Press and release the time key again. The minute will flash on the screen. Set by pressing the Vol. (+ or -).

Step 3. Press and release the time key once again to save the settings. Note: you must press the time key to save, or the setup will void after 20 seconds.

To display the actual time, press and hold the time key for more than 3 seconds. The standard time (12-hour system) will change to a 24-hour military system and appear for 30 seconds. Press and hold the time key for 3 seconds again, the 24-hour military system will change back to the standard time.

If the radio is on, wait for the LCD screen to turn off, then press and hold the time key. The actual time will appear. Once you release the button, the time will change back to the radio station and then disappear in 10 seconds.

Setting the radio

Press the FM/AM/OFF key once, FM is active. Press the key a second time, AM is active, press the key a third time and the radio will turn off. While the radio is on, search the channels by press and release tune (+ or -). To Scan the channels, press & hold tune (+ or -) for more than 3 seconds then release the button. It will begin to scan automatically. Scanning will stop and change back to active radio when channel is located. To adjust the volume control, simply press Vol. (+ or -). Note: when the radio is on, current station and current time will display on LCD screen every 10 seconds alternately.

Setting Pre Selected channels

Simply, turn on the radio and tune-in the radio station you want to save. Now, press & hold P/S for at least 3 seconds. The P/S channel number will flash at the top left corner of the screen.

Next, press Volume (+ or -) to select a P/S channel number.

Once you have selected a radio station then a P/S channel number, simply press & hold P/S again, for at least 3 seconds to save the station. Note: you must press P/S again or the setup will void after 10 seconds. The memory can save up to 5 channels for each FM and AM.

Using your MP3 player

While the radio is on, turn on the IPOD/MP3 player, insert one end of the audio wire into the output hole of the IPOD/MP3 and place the IPOD/MP3 inside the holder. Insert the other end of the wire into the IPOD/MP3 input hole, located underneath the radio.

Note: to switch back to the radio, simply unplug the IPOD/MP3 from the radio.

Temperature Display

Press F/C for more than 2 seconds, Fahrenheit will display on LCD screen. Press F/C again for more than 2 seconds, Celsius will display.

AAA Battery for memory

Two AAA batteries are located inside the radio, to save the time setting and pre-selected channels in case umbrella is unplugged.

Note: it is recommended you replace the batteries every 3-6 months.

* To replace the batteries, place the kit for disassembling the radio assembly ("J") into the holes of radio assembly, press it by one hand, and pull the radio assembly out with the other hand. Open the battery box lid, and then replace the batteries.

Remote control

Three AAA batteries are located inside the remote control. Note: It is recommended you replace the batteries every 3-6 months. The LCD screen on the remote control will only display Time and Temperature. It will not display the radio station.

* The Background light will appear on the LCD screen by pressing any key and turn off automatically in 30 seconds. (for remote control: in 10 seconds)

* Antenna is telescopic and DC hole is optional if you have the back-up battery from Wanda's 9' Primo Sing 2U in case AAA batteries inside the radio assembly are out of power.